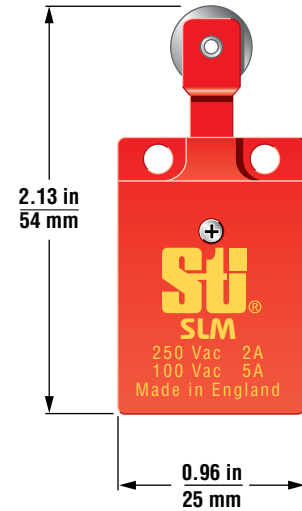




Conforms to EN1088, EN292, EN60947-5-1, EN60204-1
 CSA approved

■ **Actual Size**



G

safety interlock switches

SLM

Mini Safety Limit Switch

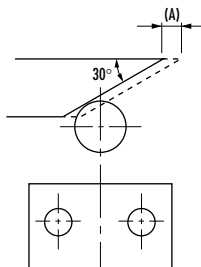
- Miniature size will fit in the most confined spaces, while providing the performance of larger units
- NEMA 1 enclosure makes the SLM suitable for dry, dust-free, indoor applications
- Choice of roller plunger orientations will satisfy most installation requirements
- Positive operation—all contacts are force guided for positive operation by the actuator conforming to safety switch standards
- Long life—the SLM with its stainless steel roller plunger is designed for ten million actuations

A **Go to the Engineering Guide**
 For in-depth information on safety standards and use.

N **For More Guarding Products**
 See Section N for safeguarding cutting and turning machines

■ Operation

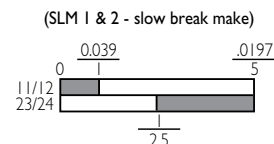
Cam Displacement



Operating Example



Contact Arrangements

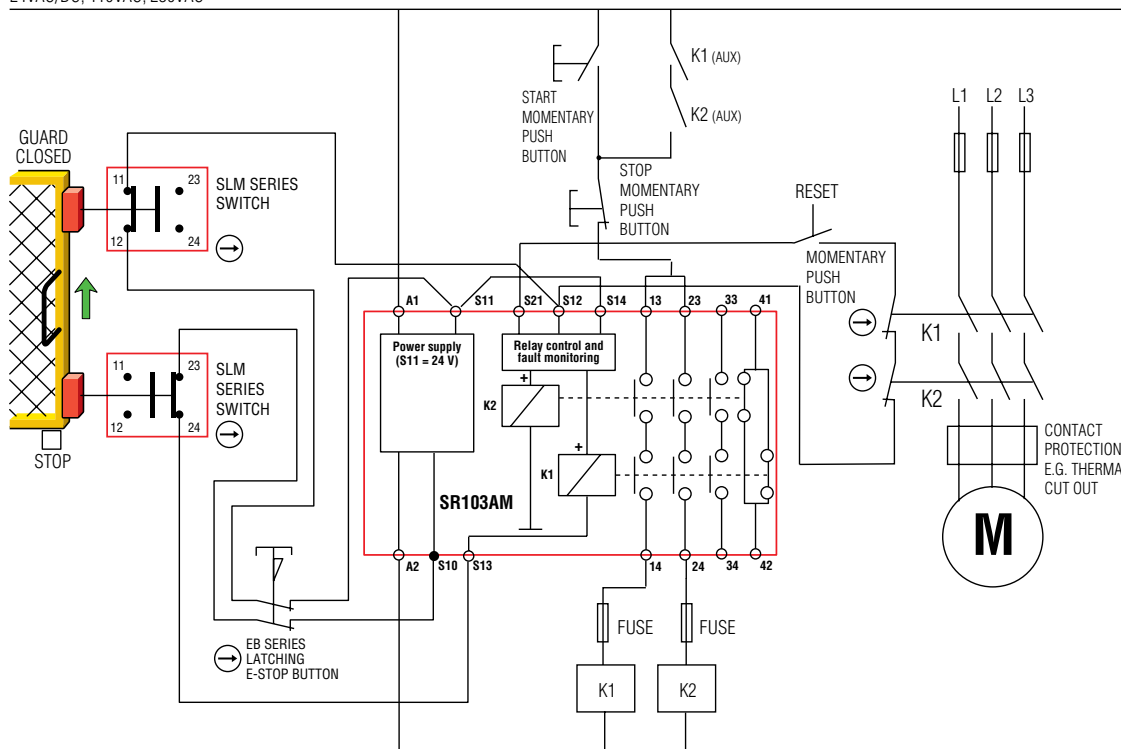


The actuating cam should be profiled at 30° for optimum operation.

■ Application Diagram

Typical Application of SLM with a Safety Monitoring Relay

24VAC/DC, 110VAC, 230VAC

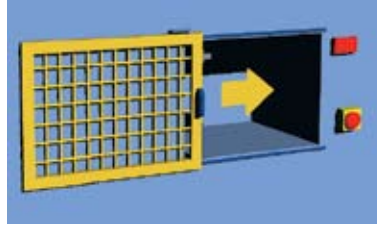


For a full explanation of the circuit operating principle and fault detection, see "Common Circuit Examples" in the Engineering Section of this catalog.

G
safety interlock switches

■ Application

Typical applications are on sliding guard doors, moving machine beds, crane arms, etc.



■ Specifications

Electrical	All Models
Contact Configurations:	1 N/C + 1 N/O
Safety Contacts:	1 N/C positive break
Switching Ability	
AC:	500 V–1 A, 250 V–2 A, 100 V–5 A
DC:	250 V–0.5 A, 24 V–2 A
Safety Contact Gap:	> 2 mm (0.079 in.)
Auxiliary Contacts:	1 N/O
Max Switching Current/Volt/Amp:	500 V/500 VA
Minimum Current:	5 V 5 mA DC
Electrical Life:	1 x 10 ⁶ minimum
Mechanical	
Mounting:	Any position
Mounting Hardware:	2 x M3 or 2 x M4 screws
Actuator Travel for Positive Opening:	2.5 mm (0.098 in.)
Max Actuator Travel:	5 mm (0.197 in.)
Break Contact Min Force:	10 N (2.25 lb.)
Max Actuation Speed:	160 mm/sec (6.30 in./sec)
Max Actuation Frequency:	2 cycles/sec
Case Material:	UL listed glass-filled polyester
Actuator Material:	Stainless steel roller/acetal plunger
Wiring Entry:	3 x wiring breakouts
Weight:	36 g (1.3 oz.)
Color:	Red
Mechanical Life:	10 x 10 ⁶ minimum
Environmental	
Protection:	IP30 (NEMA 1)
Operating Temperature:	-25 to 80°C (-13 to 176°F)
Compliance	
Standards:	EN1088, EN292, EN60947-5-1, EN60204-1
Approvals/Listings:	CE marked for all applicable directives, CSA

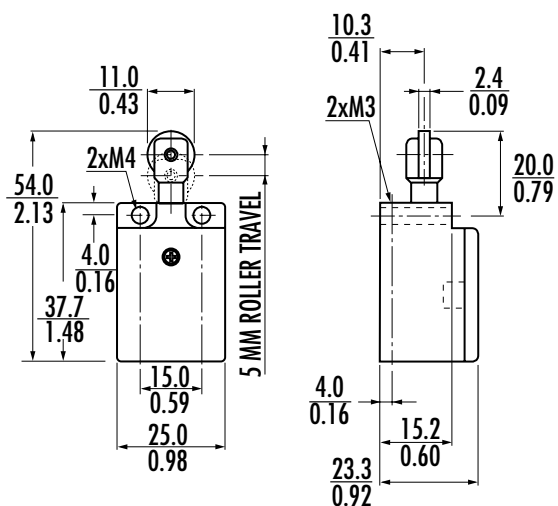
Specifications are subject to change without notice.

Note: The safety contacts of the Omron STI switches are described as normally closed (N/C)—i.e., with the guard closed, actuator in place, and the machine able to be started.

A **Go to the Engineering Guide**
For in-depth information on safety standards and use.

N **For More Guarding Products**
See Section N for safeguarding cutting and turning machines

■ Dimensions — mm/in.



■ Ordering

Model	Contacts	Wiring Entry	Part No.
SLM-1K (Roller parallel to switch front)	1 N/C + 1 N/O	3 x wiring breakouts	44511-0010
SLM-2K (Roller parallel to switch side)	1 N/C + 1 N/O	3 x wiring breakouts	44511-0020
Accessories (see page G238)			

G

safety interlock switches